



Features

- CEFIONTECT Technology: super smooth, ion barrier glazing for a clean toilet bowl
- TORNADO FLUSH for powerful flushing with less amount of water
- RIMLESS DESIGN bowl ensures easy cleaning and ultimate hygiene
- EWATER+ keeps nozzle clean with sanitizing effect against bacteria
- Fully equipped with rear, front and oscillating & pulsating cleansing function
- Temperature control HEATED SEAT
- PREMIST a fine spray of mist making it difficult for dirt to adhere
- Soft closing seat and cover

EWATER+ is made from tap water by electrolyzed chloride ion. After use, it returns back to ordinary state of water.

Specifications

BOWL:

Flush System: TORNADO FLUSH

Water Use: 4.5L / 3L

Rough-in: H=220

Bowl Shape: Square Shape

Water Pressure: 0.05MPa~0.75MPa

Size: 380W x 580D x 335H mm

WASHLET:

Power Rating: 220~240V , 50/60Hz , 832~843W

Length of Power Cord: 0.9 m

Cord:

Size: 383W x 579D x 146H mm

Parts description

Seat & Cover are not included

- Square Shape Wall Hung Closet Bowl (P-Trap) with Concealed feature, hiding all wiring inside the bowl
- Concealed WASHLET SX (Auto Flush)
- Concealed Tank (4.5L / 3L)

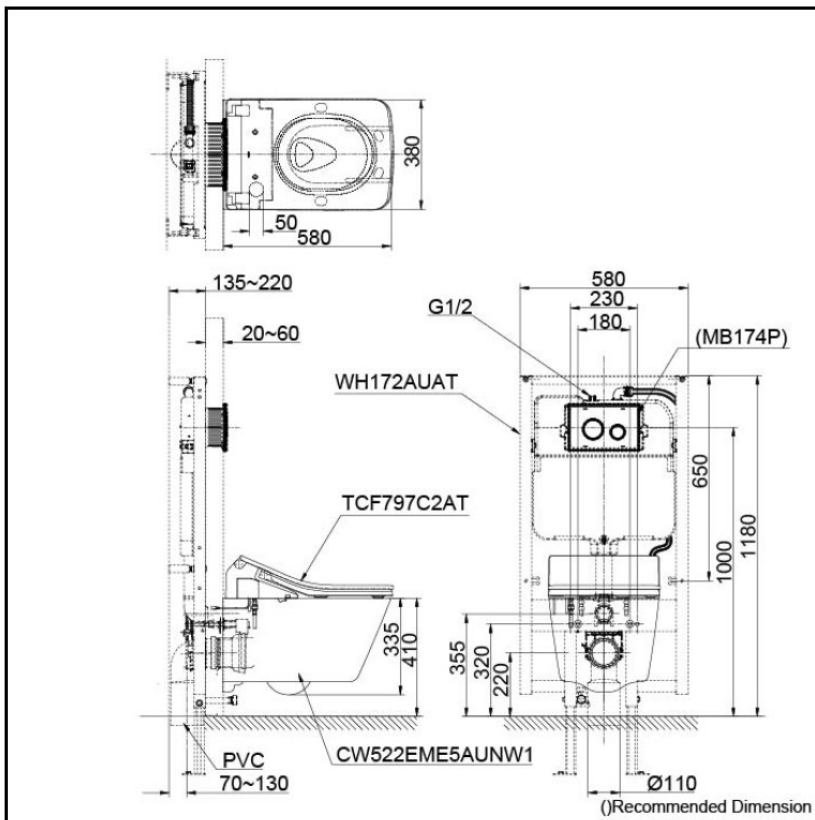
NOTE

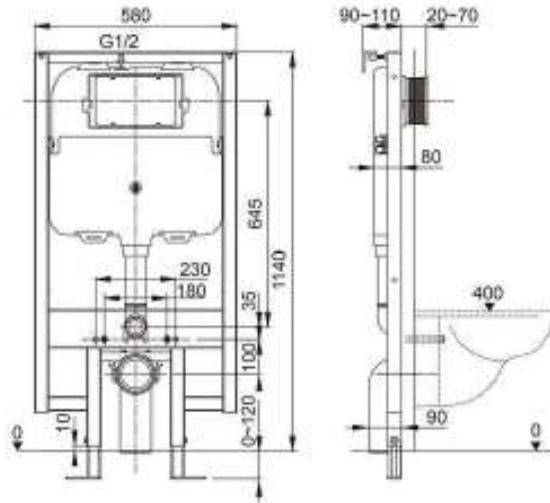
- DO NOT COUPLE THIS WC WITH FLUSH VALVE

Colors

White

Certifications





Specification

Name	Concealed Cistem with Frame	SKU code	
Size(mm)	1140*80*580	Flush volume	3 / 4.5 L
Color	Grey	Water intake mode	Top Inlet
Material	PC+SS	Water inlet connection	G1/2"
Applicable water pressure(MPa)	0.07~0.75	Gross weight(kg)	17
Volume (m ³)	0.122	Net weight(kg)	15
Operation mode	Front Press	Certification obtained	WELS, WATERMARK, WRAS, SASO, SIRIM



1300 898 889

www.acsbathrooms.com.au