

TOTO

Product Code: TOTO-81

TOTO Fully Concealed Wall Hung D Shaped Pan & Rx Washlet with inwall Flush



Features

- CEFIONTECT Technology: super smooth, ion barrier glazing for a clean toilet bowl
 - TORNADO FLUSH for powerful flushing with less amount of water
 - RIMLESS DESIGN bowl ensures easy cleaning and ultimate hygiene
 - EWATER+ keeps nozzle clean with sanitizing effect against bacteria
 - Fully equipped with rear, front and oscillating & pulsating cleansing function
 - Temperature control HEATED SEAT
 - PREMIST a fine spray of mist making it difficult for dirt to adhere
 - Soft closing seat and cover
- EWATER+ is made from tap water by electrolyzed chloride ion. After use, it returns back to ordinary state of water

Specifications

BOWL:

- Flush System: TORNADO FLUSH
- Water Use: 4.5L / 3L
- Rough-in: H=220
- Bowl Shape: D-Shape
- Water Pressure: 0.05MPa~0.75MPa
- Size: 380W x 580D x 335H mm

WASHLET:

- Power Rating: 220~240V , 50/60Hz , 826~837W
- Length of Power Cord: 0.9 m
- Size: 383W x 579D x 146H mm

Parts description

Seat & Cover are not included

- D-Shape Wall Hung Closet Bowl (P-Trap) with Concealed feature, hiding all wiring inside the bowl
- Concealed WASHLET RX (Auto Flush)
- Concealed Tank (4.5L / 3L)

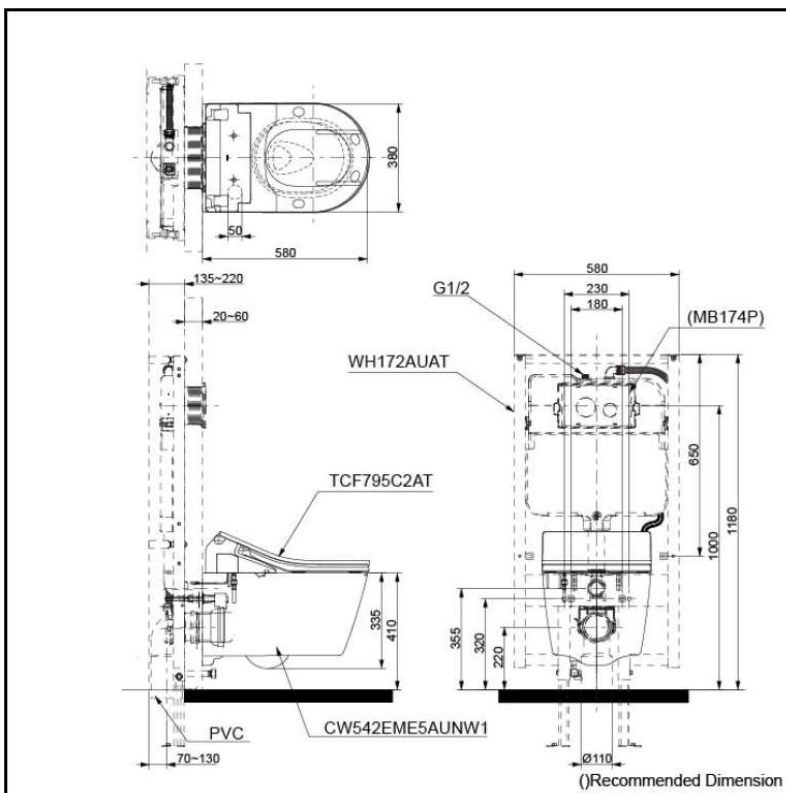
NOTE

- DO NOT COUPLE THIS WC WITH FLUSH VALVE

Colors

White

Certifications



ACS

1300 898 889

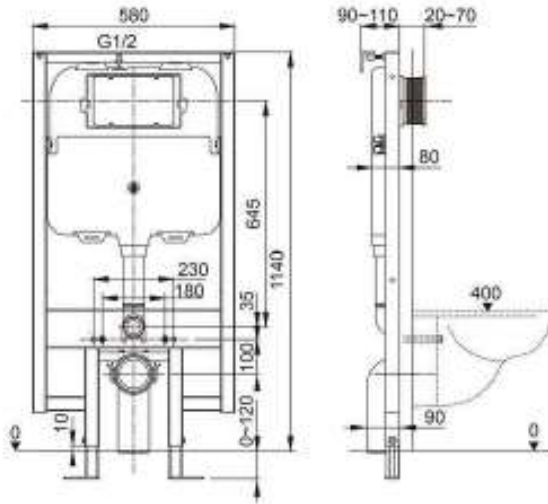
www.acsbathrooms.com.au

TOTO

Product Code: TOTO-81

TOTO Fully Concealed Wall Hung D Shaped Pan & Rx Washlet with inwall Flush

AXENT
SWITZERLAND



Specification

Name	Concealed Cistem with Frame	SKU code	
Size(mm)	1140*80*580	Flush volume	3 / 4.5 L
Color	Grey	Water intake mode	Top Inlet
Material	PC+SS	Water inlet connection	G1/2"
Applicable water pressure(MPa)	0.07~0.75	Gross weight(kg)	17
Volume (m ³)	0.122	Net weight(kg)	15
Operation mode	Front Press	Certification obtained	WELS,WATERMARK,WRAS,SASO,SIRIM



ACS

1300 898 889

www.acsbathrooms.com.au

As part of ACS commitment to quality products. Information provided in this data sheet is representative of the actual product available at the time of printing. Due to our commitment to continuous product design and development, the designs and specifications depicted are subject to change without notice. Please confirm all particulars with your ACS sales consultant prior to purchase. Each product is covered by a limited warranty. Please see our website for full terms and conditions. This drawing remains the property of ACS and should not be copied or distributed without ACS consent. © 2010 All Dimensions are approximate in mm and are not to scale.