

# TOTO

## Product Code: TOTO-19c

### TOTO Avante Wall Faced Pan & TOTO C5 Washlet (Round) with Remote control No Soft Close Seat, P Trap



### Features

- Unique sculpted design, Wall Faced Toilet
- Dual flush system
- Skirted styling with concealed trapway for easy cleaning
- The Avante suite:  
Matching toilets, lavatories and bidets

### Specifications

Flush system:	Wash Down
Water Use:	4.5L / 3L
Rough-in:	H=180 mm (P-Trap)
Bowl Shape:	Round
Water Pressure:	0.05MPa~0.75MPa
Size:	360W x 525D x 390H mm

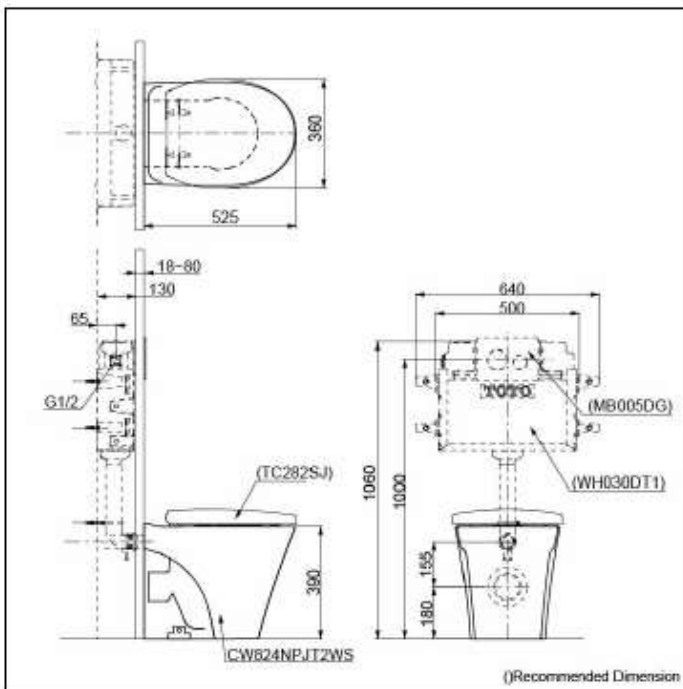
### Parts description

Fittings and Seat & Cover are not included

- Round Wall Faced Toilet (P-Trap)  
(Rough-in 180)

### Colors

White



# ACS

1300 898 889

[www.acsbathrooms.com.au](http://www.acsbathrooms.com.au)

As part of ACS commitment to quality products. Information provided in this data sheet is representative of the actual product available at the time of printing. Due to our commitment to continuous product design and development, the designs and specifications depicted are subject to change without notice. Please confirm all particulars with your ACS sales consultant prior to purchase. Each product is covered by a limited warranty. Please see our website for full terms and conditions. This drawing remains the property of ACS and should not be copied or distributed without ACS consent. © 2010 All Dimensions are approximate in mm and are not to scale.

# TOTO

## Product Code: TOTO-19c

### TOTO Avante Wall Faced Pan & TOTO C5 Washlet (Round) with Remote control No Soft Close Seat, P Trap



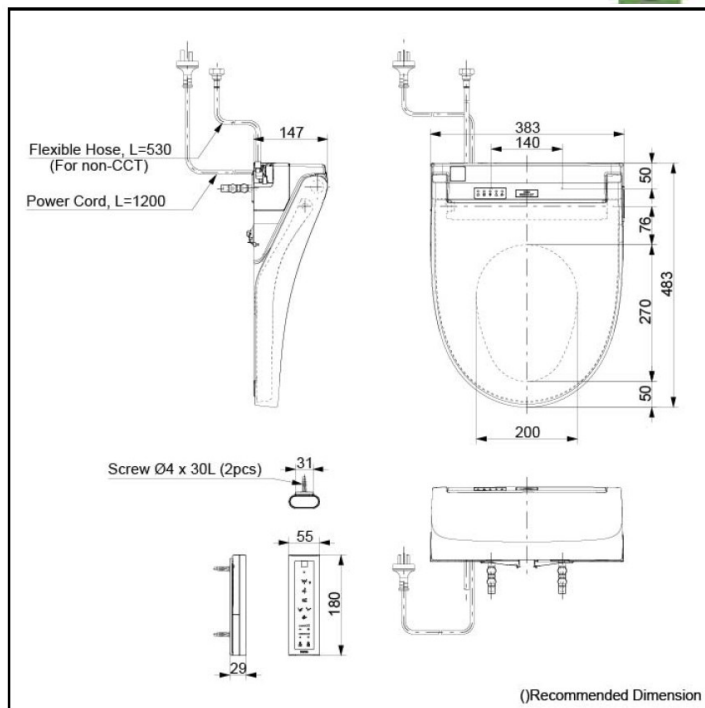
## Features

- EWATER+ spreads out and keeps the nozzle clean by preventing bacteria with sanitizing effect
- PREMIST water is sprayed inside the toilet bowl to make it difficult for dirt to adhere
- Maximized comfort function with new wide front and pulsating cleansing
- Fully equipped with comfortable rear, front and oscillating cleansing functions
- Adjustable WARM AIR DRYING
- HEATED SEAT with temperature control
- Auto powerful DEODORIZER activates after every usage

EWATER+ is made from tap water by electrolyzed chloride ion without any chemicals. After use, it returns to normal water in the state of safe and environmental friendly

## Specifications

Bowl Shape:	Round
Water Pressure:	0.07Mpa~0.75Mpa
Power Rating:	220~240V , 50/60Hz, 312~368W
Length of Power Cord:	1.2 m
Material:	Plastic
Size:	383W x 483D x 147H mm



## Parts description

- WASHLET Round

## Colors

White #NW1

## Certifications



# ACS

1300 898 889

[www.acsbathrooms.com.au](http://www.acsbathrooms.com.au)