

# Nero

- NERO-02 DOLCE Pull Out Sink Mixer With Vegie Spray Function in Chrome Finish
- NERO-02BN DOLCE Pull Out Sink Mixer With Vegie Spray Function in Brushed Nickel Finish
- NERO-02MB DOLCE Pull Out Sink Mixer With Vegie Spray Function in Matt Black Finish



## SPECIFICATION

WELS RATING	5L/MIN
WATERMARK LICENSE	WM-060073
TEMPERATURE RATING	MIN 1°C-MAX 75°C
PRESSURE RATING	MIN 150KPa-MAX 500KPa

## MAINTENANCE AND CARE

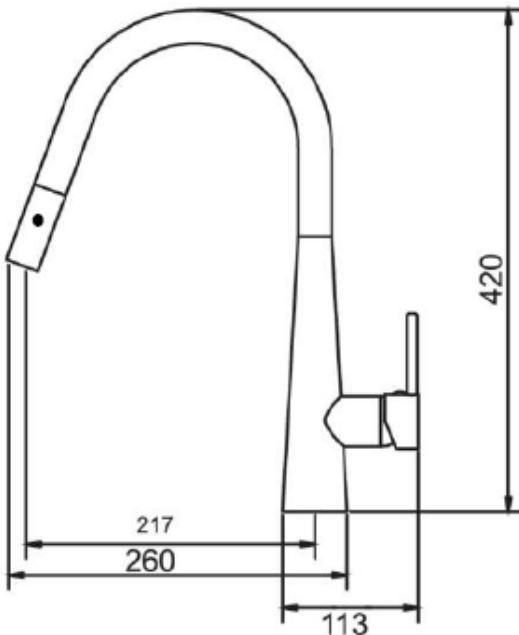
All surfaces should be cleaned with mild liquid detergent or soap and water.

Do not use cream cleaners or citrus based cleaning products, as they are abrasive.

Use of unsuitable cleaning agents may damage the surface. Any damage caused in this way will not be covered by warranty

## PACKAGING INCLUDES

- 1x sink mixer
- 2x flexible hose
- 1x installation kit
- 1x counter weight



Dimensions are nominal measurements only.

# ACS

1300 898 889

[www.acsbathrooms.com.au](http://www.acsbathrooms.com.au)

