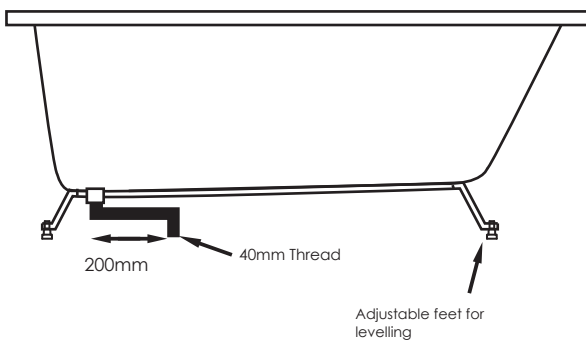
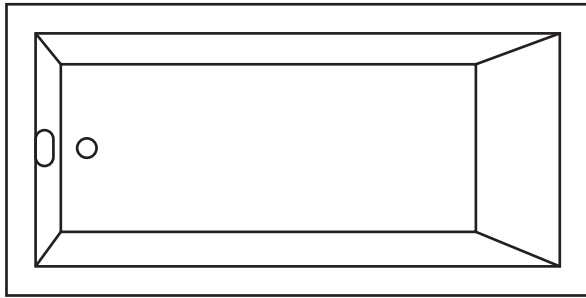


moda Concealed bath install guide

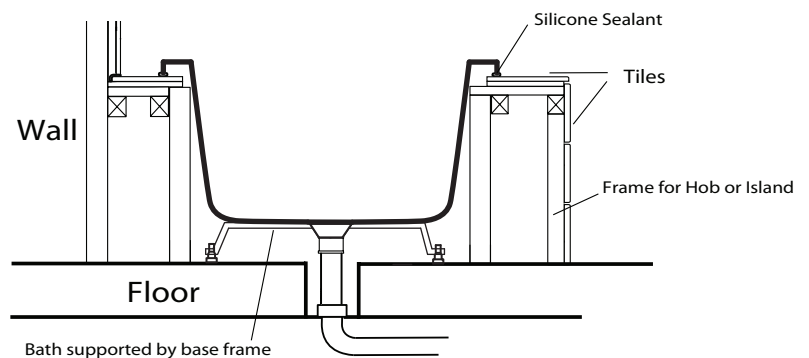
Please Note:

This is an installation guide only, it is recommended to have the bath on site before commencing installation rough in. Installation must be done by a licensed professional



Important Features

- 1: 40mm chrome waste with overflow supplied (excluding some models)
- 2: Built in support frame with galvanised metal legs included
- 3: Adjustable height feet
- 4: 40mm flexible drain hose included with 40mm female thread connection, extendable to 1m
- 5: Non-Slip Premium Sanitary Grade Acrylic with fibreglass reinforcement.
- 6: Reasonable manufacturing tolerances apply



Installation

- 1: The bath must be installed on an appropriately supported level floor.
- 2: Offset of waste is recommended at 200mm, optional flexible drainage hose is provided, with 40mm female threaded connection (can be extended to 1 metre).
- 3: Baths are designed for and best suited for Hob Mount installations. Other installations are possible at the installers discretion.
- 4: Construct a frame for bath hob or island to desired specifications. Appropriately measure, construct, waterproof and tile to Australian Standards
- 5: Set bath into constructed hob/island after connecting flexi hose. Ensure weight of bath is applied to support legs and not the rim, adjust feet if needed
- 6: Water testing bath is recommended during installation
- 7: Silicone under rim for water penetration and security