

moda

Code: A-138A

Material: Isostone - 70% Limestone Composite

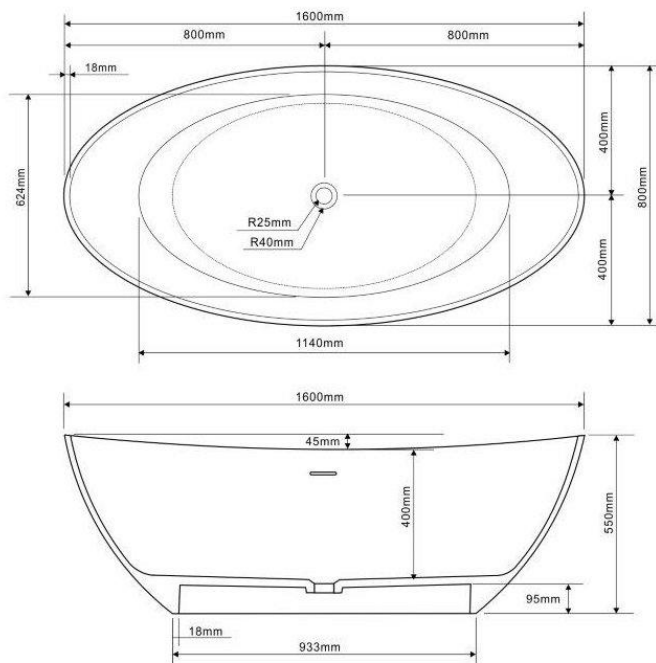
Size: W 1600 x D 800 x H 580 mm

Warranty: 10 Years

Features:

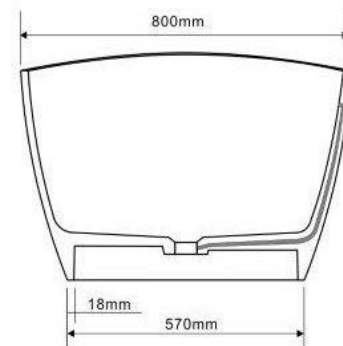
- Smooth matt white finish (gloss by custom order)
- Italian Design & Engineering
- Superior Heat Retention
- Pop Up Waste – Installed
- 1mtr Flexible Drain Hose for Easy Installation (DN40)
- Scratch and Stain resistance
- Adjustable Leg Height For Levelling
- Repairable Material
- Australian Standard (SAI) AS/NZS 3718:2003

FELICIA



Specifications:

- Net Weight: 160Kg
- Crate size:
L 1700, W 900, H 575mm
- Gross Weight: 175Kg



ACS
DESIGNER BATHROOMS

1300 898 889

www.acsbathrooms.com.au