

moda

Code: A-129

Material: Isostone - 70% Limestone Composite

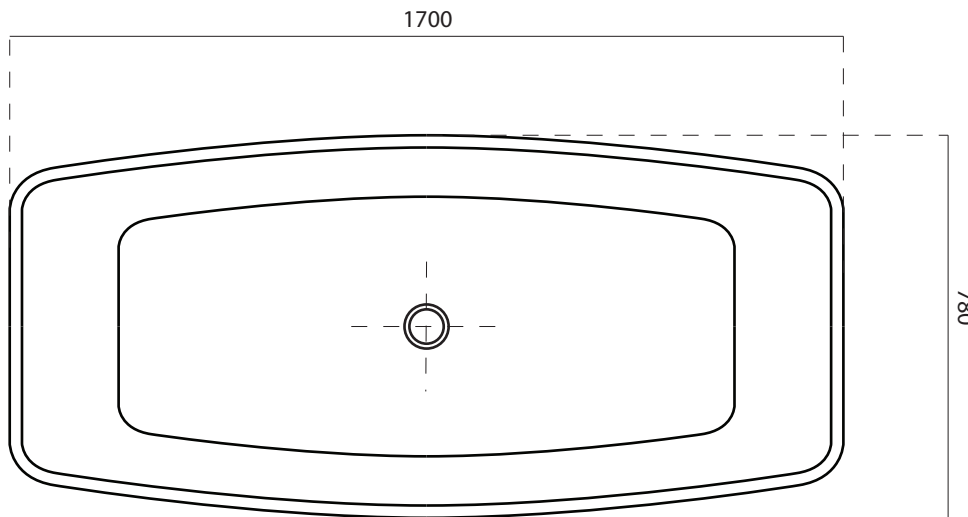
Size: W 1700 x D 780 x H 550 mm

Warranty: 10 Years

Features:

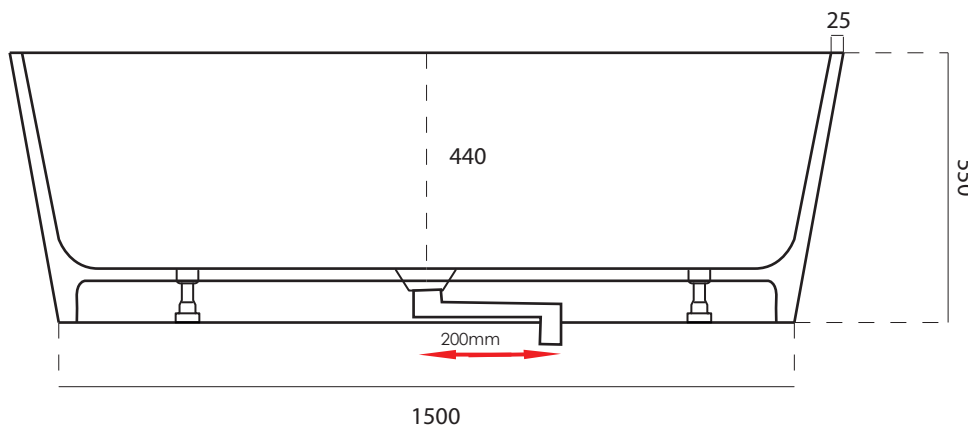
- Smooth solid matt white finish (gloss by custom order)
- Italian Design & Engineering
- Superior Heat Retention
- Pop Up Waste - Installed
- 1mtr Flexible Drain Hose for Easy Installation (DN40)
- Galvanised Metal Base Support
- Adjustable Leg Height For Levelling
- Scratch and Stain resistance
- Repairable Material
- Australian Standard (SAI)
AS/NZS 3718:2003

Fia



Specifications:

- Net Weight: 145Kg
- Crate size:
L 1800, W 880, H 750mm
- Gross Weight: 175Kg



ACS

DESIGNER BATHROOMS

1300 898 889

www.acsbathrooms.com.au