

The last bastion of privacy, a space of peace and tranquillity, your Bathroom
 Enjoy the look and feel of our European Bathroom fittings and fixtures.
 Designed and made to the highest International and Australian standards.



EKO BASIN MIXER

SYDNEY

Woollahra

163 Edgecliff Road

Woollahra NSW 2025

T 02 9386 9809

Chatswood

Unit 36/28 Barcoo Street

Chatswood NSW 2067

T 02 9882 2044

MELBOURNE

Richmond

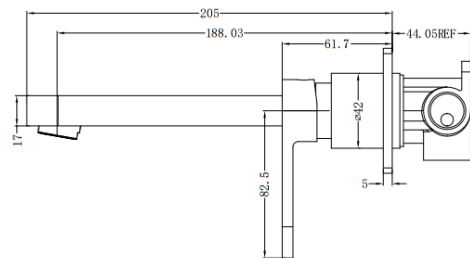
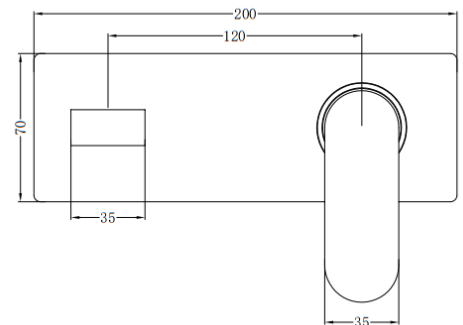
229 Swan Street

Richmond VIC 3121

T 03 9428 9996



- Code: EKO-04
- Superior European Design
- Quality DR Brass Construction
- Polished Chrome
- WELS Approved 5 Star 6L/Min
- Australian Standard (SAI)
- AS/NZS 3718:2003
- 25mm ceramic disc cartridge can be adjusted to reduce water temperature and flow control settings, saving energy.
- Solid brass construction for longevity.
- Solid easy to grip modular handle.
- NEOPERL aerator with slim stream flow director.
- Twin-stud mounting for secure basin installation.
- Stainless steel flexible hoses – 1/2 BSP female.
- Suitable for mains pressure installation.

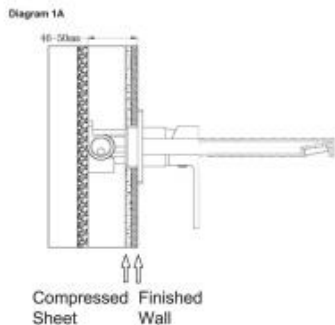


Installation Instructions

WALL BASIN MIXER

Dimension

All dimensions are in millimeters



1. Proceed to mount complete assembly refer to above diagram 1A for setting assembly depth.
2. Connect hot and cold pipes to concealed valve.
3. Pressure test for leaks.
4. Water proof installation then proceed to fit off decorating plate, spout and handle.



Important - Pressure & Temperature requirements

• Hot and cold water inlet pressure should be equal

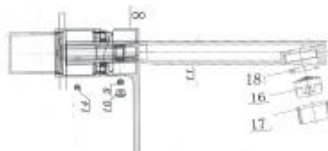
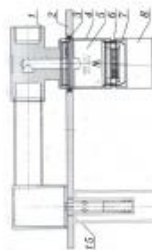
• Inlet pressure range should be between 150 - 500kPa

*500 kPa is the maximum operating pressure at any outlet within a building
Ref AS/NZS 3500 - 1 - 2003, Clause 3.3.4

Installation Instructions

WALL BASIN MIXER

Installation



1. Body
2. Back plating
3. O-ring
4. Mixer body
5. Cartridge
6. Fixing nut
7. Cartridge cover
8. Handle
9. Grub screw
10. Cap
11. Spout
12. Allen key
13. Plastic cover
14. Grub screw
15. O-ring
16. Aerator
17. Aerator shell
18. O-ring

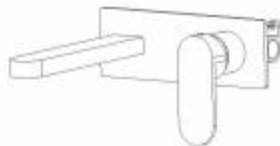
To remove cartridge

⚠ First shut off the water supply to the tap.

- 1: Remove cap from the handle.
- 2: Loosen the grub screw in handle, but do not remove it.
- 3: Take off the handle, unscrew the cartridge cover.
- 4: Using a correct size spanner unscrew the retaining nut.
- 5: Pull the cartridge.
- 6: Replace cartridge and reassemble mixer.

Installation Instructions

WALL BASIN MIXER



Please read before installing

We recommend that this product is installed by a licenced plumber.

Before installation, please make sure this product is the correct model and you have all the parts required for installation.

Please flush the water system to ensure that no metal swarf, solder, and other impurities can enter the taps.

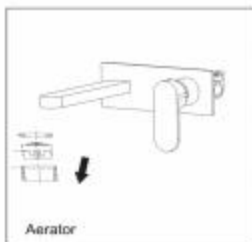
Turn off water supply before commencing work, this should be done at the isolating valves of inlet feeds if fitted or main stopcock.

Please read these instructions carefully and keep for future reference.

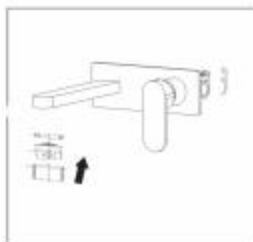
Cleaning

Before use: Unscrew the Aerator and allow the water to run freely for 5 minutes. Then screw the filter back in place.

Periodically: Unscrew the Aerator and remove. Rinse it with running water until any loose debris is cleared. Then replace the Aerator and tighten.



Aerator



Please note non-restricted aerator has been supplied with this kit. If tapware is used to fill bath, please remove factory installed restricted aerator using supplied blue tube spanner. Replace with non-restricted aerator.

Maintenance

We do NOT recommend you use any household cleaners to clean the product. This product should be only cleaned using soapy water, rinsed with clean water and dried with a soft cloth.